

Mcfk – rim MTB 27,5"/28" Gravel / Cyclocross

Thank you very much for buying our products. Please read the instructions carefully and follow the installation details. Have your Mcfk product assembled exclusively by a specialized dealer and present this manual to him for guidance. Please note that the manual is part of the product and as such should be kept safely.

Intended use

The Mcfk rims are approved for up to 125 kg system weight. They can be used for MTB marathon, cross country or all-mountain. The rims can be used with tube or tubeless systems. **The maximum inflation pressure is 4 bar.** Always be sure your tubes are inflated correctly and avoid punctures. **Use Mcfk rims with disk brakes only. Rim brakes can cause extensive damage with high safety risks for the rider and others.**

Replace all parts without delay after a fall/accident or when they have been used improperly. Even if you cannot see any defects such as a crack, deformation or mechanical wear, we cannot warrant the safe use of such parts.

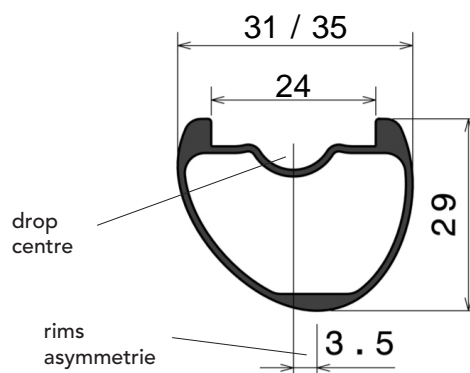
Wheelbuilding (for specialized dealers only)

Please use suitable professional tools for building the runner wheel. Before you start installing the spokes, read the operating instructions for the hubs and all mounted parts and check to ensure that they are compatible with our rims. The maximum spoke tension is 1000 N. We recommend an average spoke tension of 900 N. Observe the rim asymmetry. It should point away from the speeds mechanism on the rear wheel and away from the brake disk on the front wheel to compensate the flange offset of the hubs. We recommend double crossing the spokes on all sides. In addition, triple crossing and one-side radial spoke fitting are permitted but are not recommended by us.

Tubeless assembly

At first, clean the rim base and ensure that all grease is removed. Now, maintaining a constant pull, fit the tubeless rim tape to the rim base; avoid bubbles and folds. Press the belt firmly into the well base of the rim. Make sure that here is an overlap of the bond of about 20cms at the valve seat. **Use tubeless rim tape of 25mm width.** Take a suitable pointed tool and pierce a small hole in the rim tape where the valve seat is. Install the tubeless valve in the preformed valve seat and screw it tight. **Use a tubeless valve with a tapered seal.** Next, fit the tire on the rim on one side, at first and last at the valve seat and fill tire sealant directly in the tire. Then fit the other side of the tire on the rim, again at the valve seat last. At the same time, the tire flanks already fitted should be placed in the drop center of the rim. Inflate the tire; use a compressor if necessary. (Do not overinflate; observe the maximum permitted inflation pressure of tire and rim.) Turn and walk the tire to spread the sealant in the tire. When the sealing is successful, you can adjust the target inflation pressure. We recommend a rim width of 33mm or max. 60mm.

Important! Always fit the tire on the rim at the valve last. Use plastic tire levers only



In use

Inspect the spoke tension and the true running of the runner wheels regularly. If necessary, have a specialized dealer correct the concentricity of the wheels. Lack of spoke tension often is the cause of broken spokes and overloads the rim. Inspect the spokes, hubs and rims for damage and wear regularly. Replace damaged parts without delay. If hubs with adjustable end clearance are fitted on your wheel, check the clearance regularly and have it adjusted by a specialized dealer if necessary. Nobody else but a specialized dealer should install such hubs in a bicycle. For details, read the hub manufacturer's instructions. Never drive your cycle with underinflated tires.

Warranty

We grant a warranty of two years from the purchase date of our products. We are sure you appreciate that warranty can only be claimed if you present the invoice of the purchase of the parts and the invoice of the specialized dealer who installed them. Please return the defective product, together with a description of the defect, your contact data and the above documents to the seller.

The warranty covers defects of material and manufacture; it does not include damage due to normal wear and tear, improper use of non-compliance with the instructions of use. Warranty claims can only be raised against Mcfk. This warranty does not include Mcfk's liability for damages, in particular, for indirect damage as a consequence of accident, other indirect damage or consequential damage.